

M27C322 2M x 16 EPROM (1x 4MB ROM)

JB1 Pins 3-4 Short

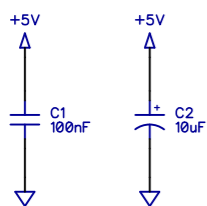
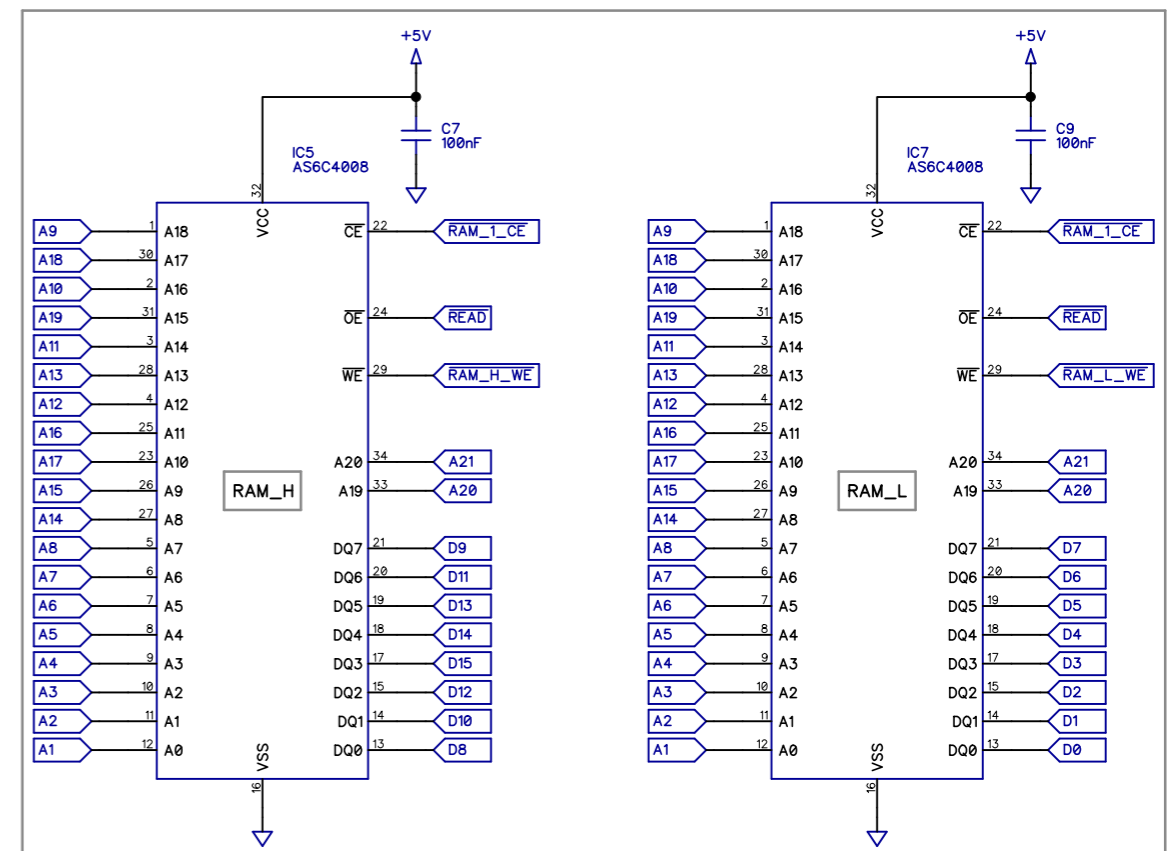
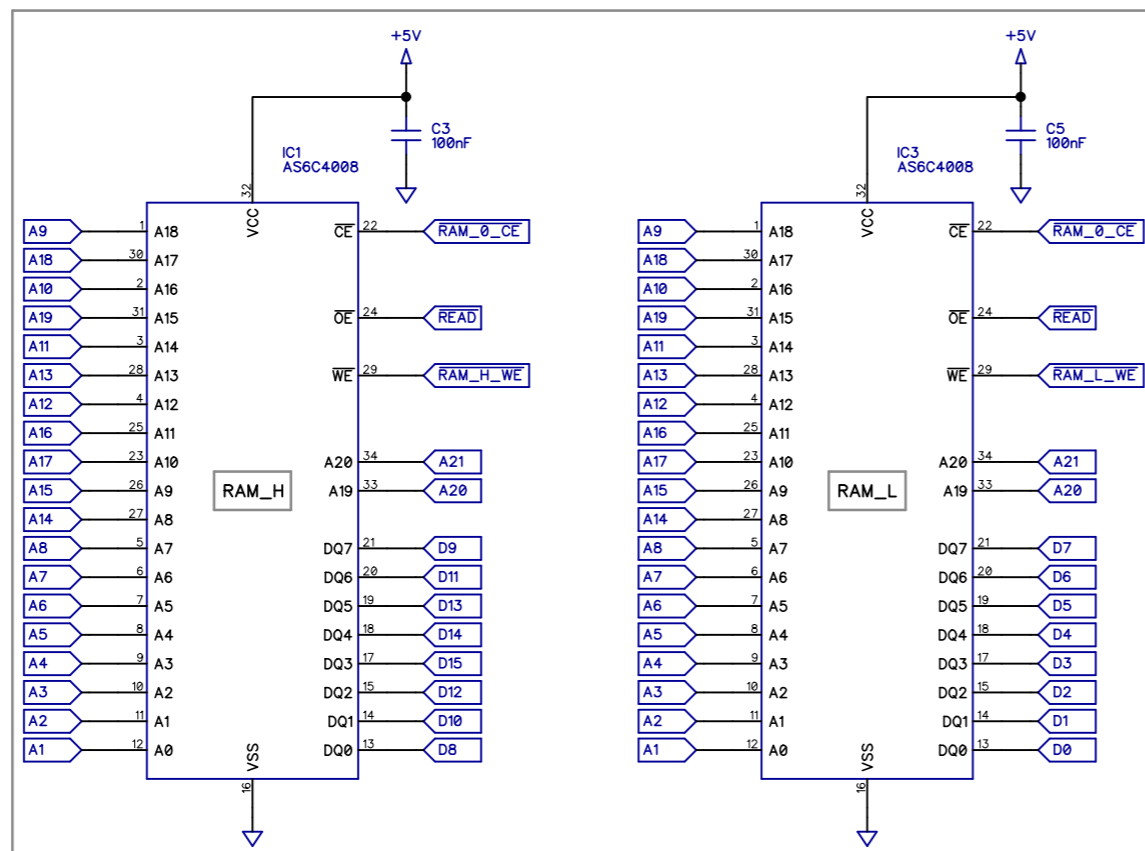
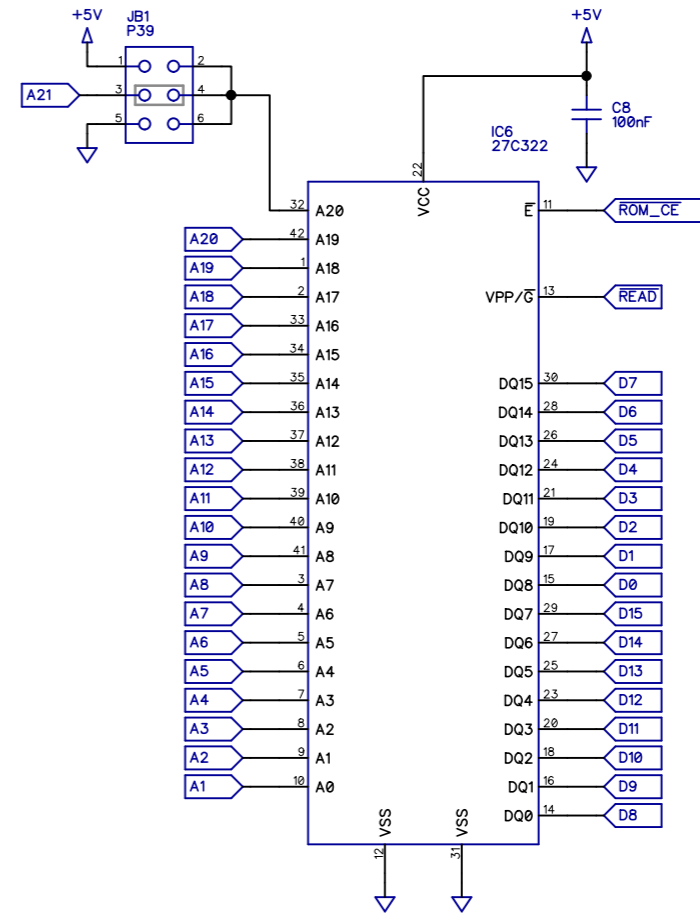
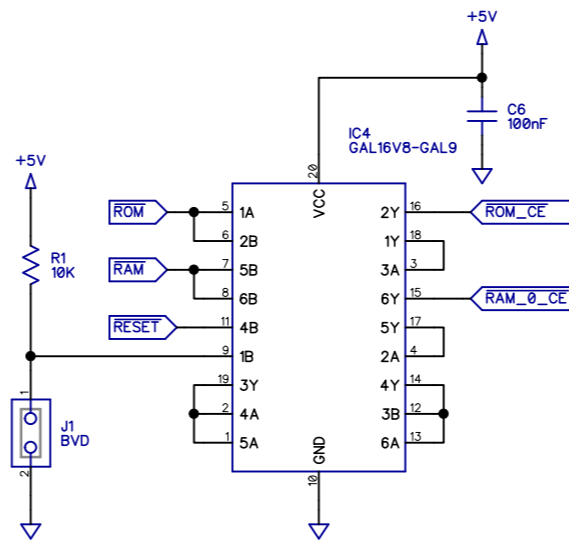
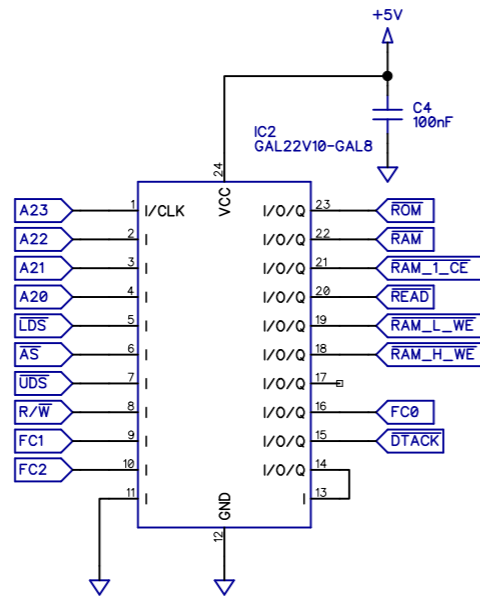
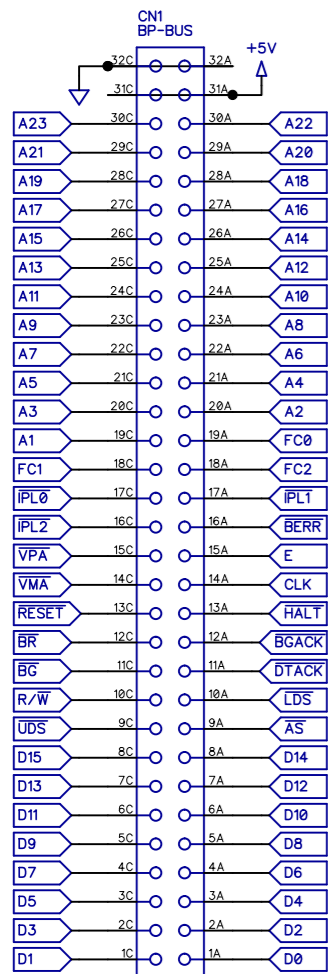
M27C322 2M x 16 EPROM (2x 2MB ROM)

JB1 Pins 5-6 Short = LOW ROM

JB1 Pins 1-2 Short = HIGH ROM

Note: GAL22V10 update required

J1 Short - Boot Vectors Disable



www.mega-micros.com

68000 Project

S. Crompton

Rev 1.0  
12/02/2023

Memory-3.1